

CONDUIT & INSTALLATION

- All material supplied by Customer unless otherwise noted.
- All power conduit shall be 3" schedule 40 gray electrical PVC.
- Sweeps shall be 36" minimum radius and kept to a minimum. Back to back sweeps are not allowed.
- Backbone communication conduit shall be 2" gray schedule 40 PVC. Install 2" gray schedule 40 PVC from Douglas County PUD transformer, handhole or pole location to home/business.
- Tape or cap ends of power conduit to prevent material from entering.
- Conduit fittings and joints shall be installed clean, square and thoroughly glued.
- Provide pull string in conduit. String shall pull freely and shall not be glued to conduit.
- Cap ends of communication conduits (no glue, please).

TRENCHING

- Customers are to provide trenching, backfilling and compaction in accordance with Douglas County PUD standards.
- Trench shall be as straight as possible.
- Backfill with a minimum 3 inch layer of clean backfill, rocks no larger than 1 inch and no sharp objects placed over conduits. (clean native backfill meeting the aforementioned standards is acceptable).
- Trench shall be free of trash and frozen or organic material and be thoroughly compacted throughout.
- Trenching in a public right-of-way or crossing under a public roadway requires a roadway use permit. This must be applied for and issued to the licensed and bonded excavation contractor who will perform all work in the public right-of-way.

SPECIAL NOTES

CALL BEFORE YOU DIG! 811

ALL CONDUIT MUST BE INSPECTED BEFORE COVERING - CALL DOUGLAS COUNTY PUD AT 881-2366 TO SCHEDULE INSPECTION. CALL 686-4501 FOR AN INSPECTION IN THE BRIDGEPORT AREA INCLUDING ALL AREAS NORTH AND EAST OF WITHROW.

DO NOT INSTALL CONDUITS INTO EXISTING TRANSFORMERS, HANDHOLES, VAULTS OR ANY ENERGIZED EQUIPMENT



DOUGLAS
COUNTY
PUD

RESIDENTIAL CONSTRUCTION STANDARDS

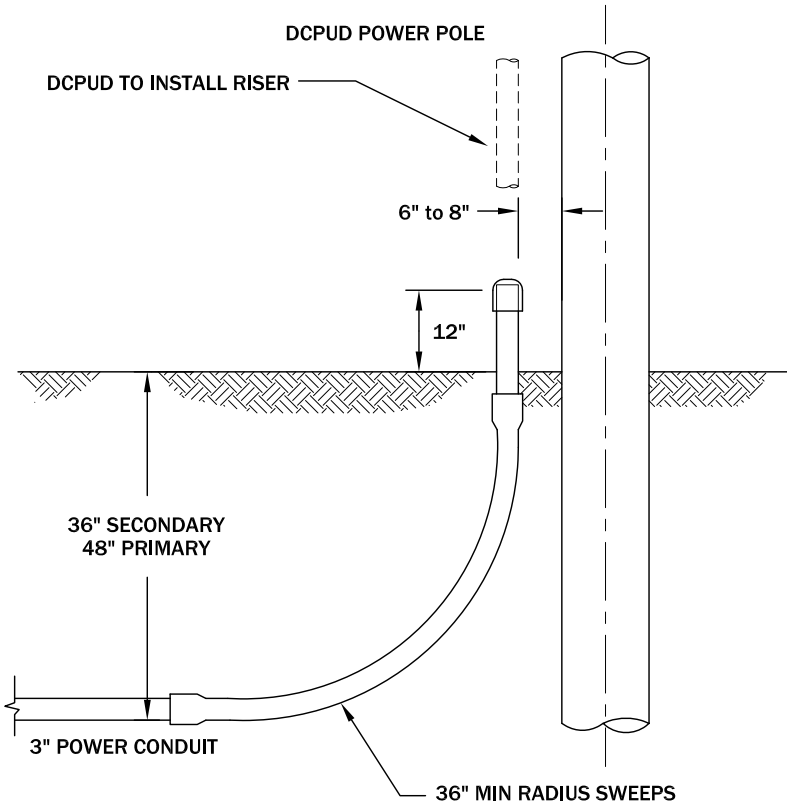
TRENCHING AND CONDUIT REQUIREMENTS

APPROVED:

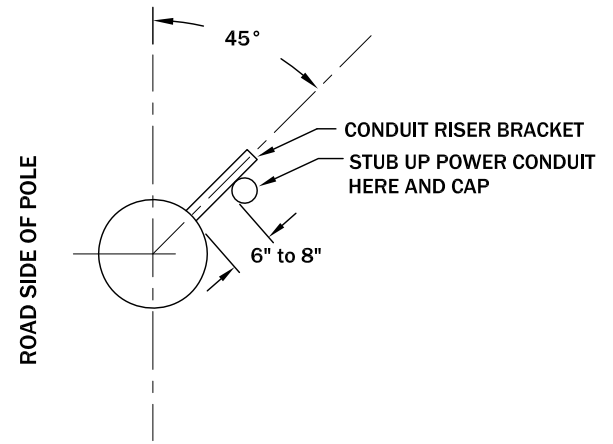
REV DATE 04/27/18

PAGE 1 OF 2

RCS-001



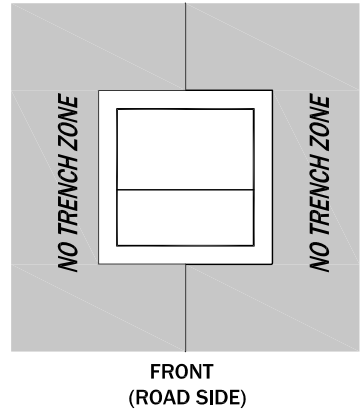
If no bracket exists at pole, stub conduit up to within 8" (but no closer than 6") of pole at a preferred quadrant location.



CONDUIT STUB UP AT POLE

Primary conduit will enter at left side of transformer

Secondary/service conduits will enter at right side of transformer



HAND DIG WHEN WITHIN 3 FEET OF AN ENERGIZED TRANSFORMER. TAKE CONDUIT TO THE BASE OF THE TRANSFORMER - DOUGLAS COUNTY PUD PERSONNEL WILL SWEEP INTO TRANSFORMER AT TIME OF INSPECTION.

CONDUIT STUB AT ENERGIZED TRANSFORMER



**DOUGLAS
COUNTY
PUD**

RESIDENTIAL CONSTRUCTION STANDARDS

TRENCHING AND CONDUIT REQUIREMENTS

APPROVED:
REV DATE 02/17/17

PAGE 2 OF 2
RCS-001